

NEW PRODUCTS 2020

PDP SERIES



ONE BRAND, COMPLETE SOLUTIONS
IN PNEUMATIC AUTOMATION



TRANSPORTING,
PUSHING,
PULLING
STOPPING,
LIFTING,
COMPRESSION

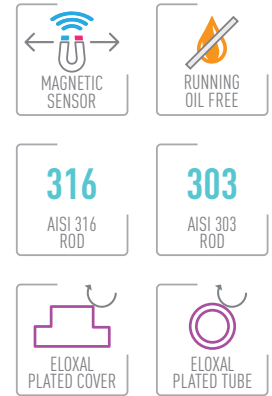
PDP SERIES

TWIN PISTON CYLINDERS // $\varnothing 6 - \varnothing 32$

DOUBLE ACTING CYLINDER WITH MAGNETIC



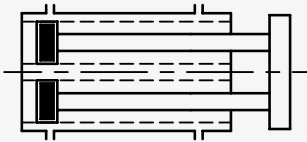
- Double piston cylinders are generally used in textile and printing press machines.
- Additionally double piston cylinders can be used at general industry and production lines; push, pull, transport, positioning and all thrust position.
- In small area provide high force thanks to double piston placed in compact size.
- Superior bearing elements enable the cylinder to run more linearly by minimizing the bending and rotation moment.
- Anodized body elements and stainless steel cylinder rod provide high protect to corrosion, oxidation and dirty environment.



PDP SERIES

TWIN PISTON CYLINDERS // Ø6 - Ø32

DOUBLE ACTING CYLINDER WITH MAGNETIC



PDP
TWIN PISTON
DOUBLE ACTING
CYLINDER WITH
MAGNETIC

- STRENGTHENED BODY COMPONENTS PROVIDE RESISTANCE AGAINST EXTERNAL FACTORS EXTENDING WORK LIFE
- MULTI-PORT POINT ENSURES EASIER ASSEMBLY
- SENSOR MOUNTING FROM 2 SURFACES
- EASE OF USE AND POSITIONING WITH THE POSSIBILITY OF STROKE ADJUSTMENT BETWEEN 0-5MM
- QUIET AND LONG LASTING PERFORMANCE THANKS TO ELASTIC PADS AT THE END OF STROKE

FORCE

Cylinder Ø mm	Rod Ø mm	Thrust and traction forces (6 Bar)	
		Thrust force (N)	Traction force (N)
6	4	33.9	18.8
10	6	94.3	60.3
16	8	241.3	181.0
20	10	377.0	282.7
25	12	589.0	453.4
32	16	965.1	723.8

EXAMPLE OF ORDER

PDP 020 - 025
 Product Code Cylinder Ø Stroke

WORK CONDITIONS

Working Fluid:

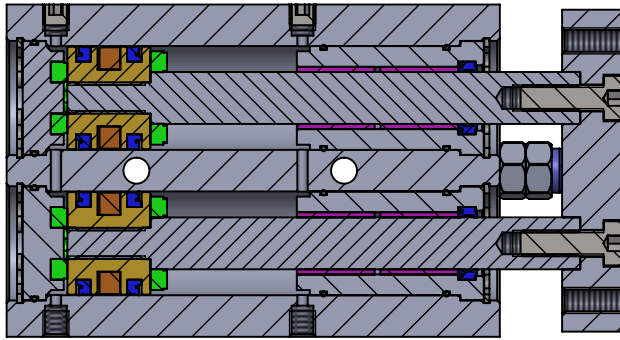
Filtered and lubricated or filtered and not lubricated air

Operating Temperature Range:

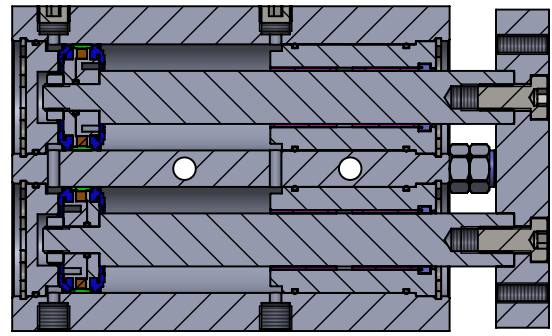
Polyurethane (PU) : (-20°C) - (+80°C)

Max. Work Pressure:

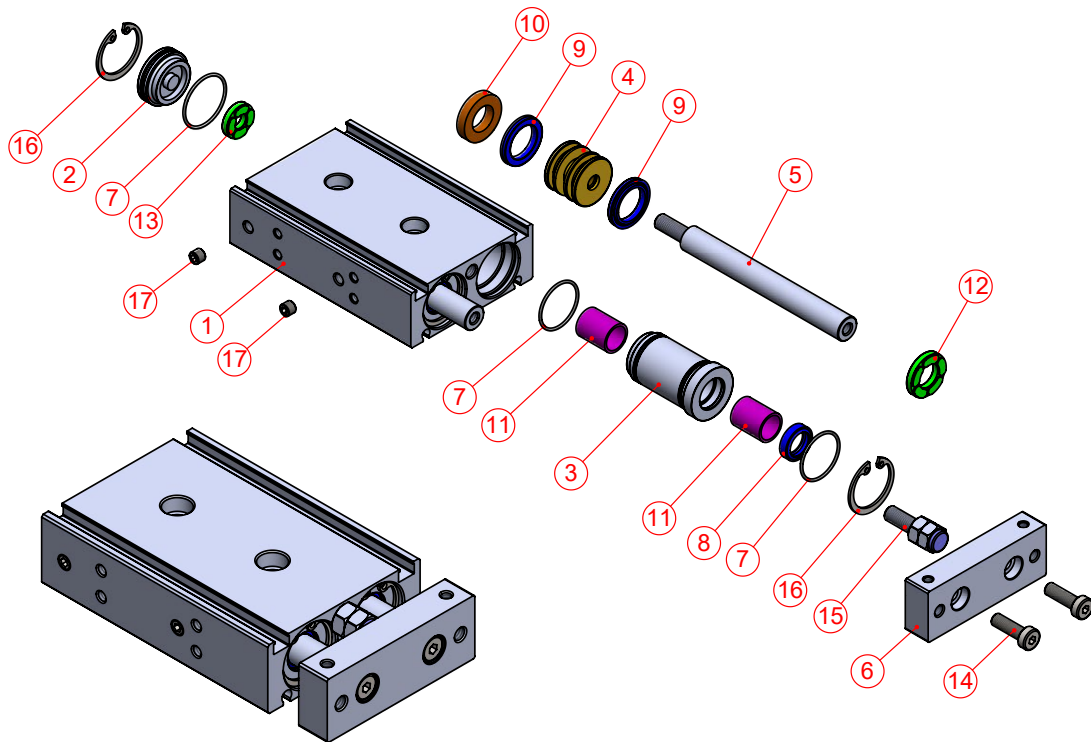
10 Bar



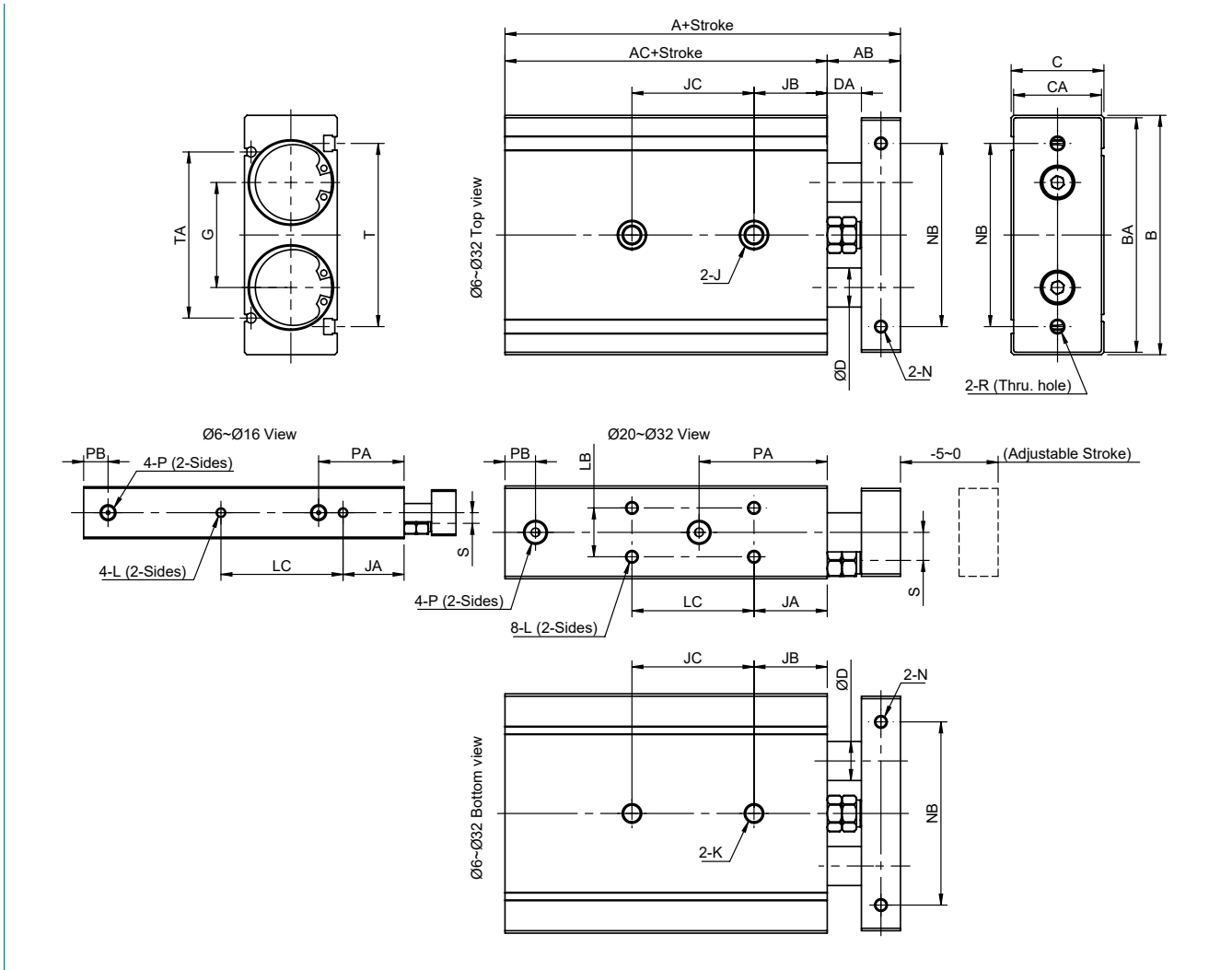
Ø6~Ø25 VIEW



Ø32 VIEW



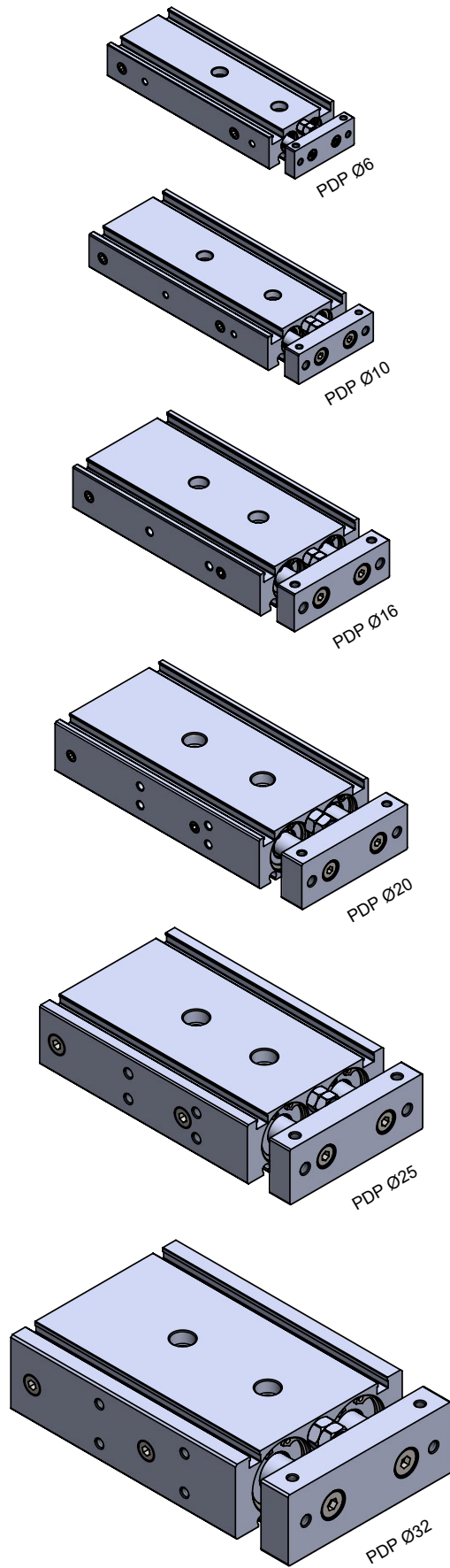
No	Material name	Characteristic	Pc
1	CYLINDER BODY	AL.+ELOXAL PLATED	1
2	REAR HEAD	6082 AL.+ELOXAL PLATED	2
3	FRONT HEAD	6082 AL.+ELOXAL PLATED	2
4	MIDDLE PISTON	FOR Ø6-Ø25 CYLINDER: BRASS FOR Ø32 CYLINDER: K58 AL.+PU+POM+MAGNET	2
5	PISTON ROD	STAINLESS STEEL	2
6	FLANGE MOUNTING	AL.+ELOXAL PLATED	1
7	HEAD O-RING	NBR	6
8	ROD SEAL	PU	2
9	PISTON SEAL	PU	4
10	MAGNET		2
11	GUIDING BUSH	CSB-40	4
12	FRONT BUMPER	PU 85	2
13	REAR BUMPER	PU 85	2
14	BOLT	AISI 304	2
15	BOLT	GALVANIZED STEEL+TEFLON	1
16	RETAINING RING	A2-STAINLESS STEEL	4
17	BLIND PLUG	BRASS	2



Cylinder Ø mm	A	AB	AC	B	BA	C	CA	D	DA	G	P	PA	PB	S	T	TA
6	58.5	13.5	45	38	35	16	15	4	8	14	M5	20.5	8.5	4.5	27.8	23
10	72	17	55	46	44	17	15	6	9	17	M5	28	8	3.5	35	30.5
16	79	19	60	58	56	21	19	8	9	24	M5	23	9.5	5	47	42.5
20	94	24	70	64	62	25	23	10	12	28	M5	38	9.5	6.5	52.5	48
25	96	24	72	80	78	30	28	12	12	35	G1/8"	38	10	9	62.5	58
32	112	30	82	98	96	38	36	16	14	43	G1/8"	52.5	12.5	11.5	75	68

Cylinder Ø mm	J	JA	JB	K	L	LB	N	NB	R
6	Ø6.5 x Dp: 3.5 x Thru. hole: Ø3.3	10	13	M4 x Dp: 6	M3 x Dp: 4.5	-	M3 Thru. hole	28	M3
10	Ø6.5 x Dp: 3.5 x Thru. hole: Ø3.3	20		M4 x Dp: 7	M3 x Dp: 5	-	M3 Thru. hole	35	M4
16	Ø8 x Dp: 4.5 x Thru. hole: Ø4.2	30		M5 x Dp: 8	M4 x Dp: 5	-	M4 Thru. hole	45	M5
20	Ø9.5 x Dp: 5.5 x Thru. hole: Ø5	30		M6 x Dp: 10	M4 x Dp: 6	9.5	M4 x Dp: 6	50	M5
25	Ø11 x Dp: 6.5 x Thru. hole: Ø6.8	30		M8 x Dp: 12	M5 x Dp: 7	13	M5 x Dp: 8	60	M6
32	Ø11 x Dp: 6.5 x Thru. hole: Ø6.8	30		M8 x Dp: 12	M5 x Dp: 7	20	M5 x Dp: 8	75	M6

Cylinder Ø mm	JC-LC							Standard Stroke (mm)	
Stroke:	10~25	30~50	60~80	90~100	110~125	150	175~200	Manufacturable str. range:10,15,20,25,30...175,180,185,190,195, 200	
6	[JC=10+Stroke/2] [LC=13+Stroke]							10, 20, 25, 30, 40, 50	
10	30	40	50	60	70	80	-	10, 20, 25, 30, 40, 50, 60, 70, 75, 80, 90, 100	
16	25	35	45	55	65	75	145		
20	30	40	60	80	100				
25	30	40	60	80	100	10, 20, 25, 30, 40, 50, 60, 70, 75, 80, 90, 100, 125, 150, 175, 200			
32	40	50	70	90	110				



PEMAKS NOW ON SOCIAL MEDIA

FOLLOW OUR SOCIAL MEDIA ACCOUNTS FOR
DEVELOPMENTS, NEW PRODUCTS AND SOLUTIONS.



Dudullu OSB Mahallesi İMES-102. Sok. A Blok No:11/15 Ümraniye / İstanbul / Turkey
Tel: +90 216 364 3076 pbx - Fax: +90 216 466 6305
www.pemaks.com.tr - pemaks@pemaks.com.tr