

PNEUMATIC ACTUATED PVC BALL VALVE (PAV-913.DA/SR)



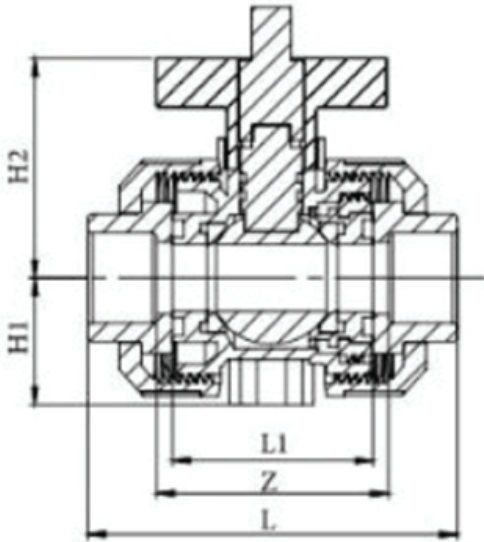
Ball Valve Details

Body	: U-PVC
Ball	: U-PVC
Cover Flange	: ISO5211
Working Pressure	: PN16
Way	: 2/2
Size	: 1/2" ... 4"
Applications	: • Used for water, acid, base and various chemicals. (Please indicate fluid type in order.) • For purpose of drain and stopper at the end of the line • Treatment plants • Chemical applications • Pool installation
Sealing	: PTFE

Pneumatic Actuator Details

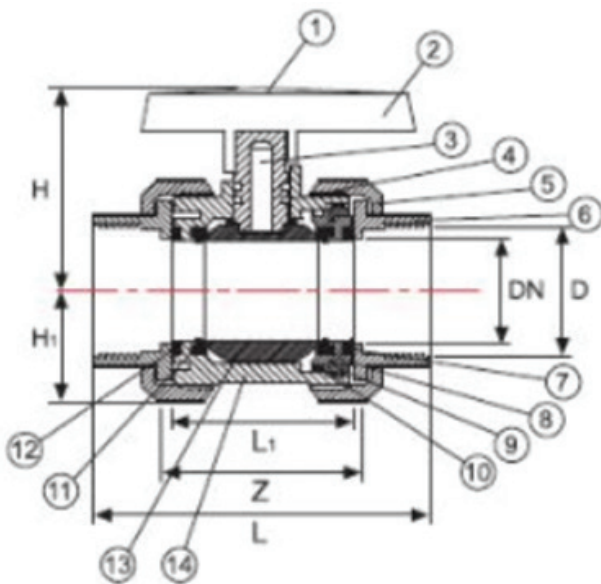
Type	: Single Acting, Double Acting
Position	: 2 Positions, 3 Positions
Angle of Rotation	: 90°, 120°, 180°
Protection Class	: IP65, IP68
ATEX Protection Class	: II 2GDc T4
Working Pressure	: 4...8 Bar
Working Temperature	: -10°C...+80°C (-50°C...80°C)
Torque Range	: 9Nm...5162 Nm
Body	: Aluminium Extrusion
Strok Adjustment	: ± 5°
Accessories	: Switch Box, Namur Valve, Positioner, Manual Override
Fluid Control	: On/Off, Proportional
Valve Connection	: ISO 5211
Accessories Connections	: Namur standards

▶ BALL VALVE SIZES



DIAMETER	PRESSURE	DN (mm)	Z (mm)	L1 (mm)	L (mm)	H1 (mm)	R (INCH)	Kg
20	16	15	60	48	85	27	1/2"	0,156
25	16	20	58	45	95	31	3/4"	0,206
32	16	25	68	49	107	33	1"	0,267
40	16	32	82	54	128	41	1 1/4"	0,442
50	16	40	94	65	154	46	1 1/2"	0,690
63	16	50	98	74	172	58	2"	1,145
75	16	65	119	87	196	65	2 1/2"	1,510
90	16	80	156	98	241	89	3"	3,580
110	16	100	185	150	289	105	4"	5,485

▶ BALL VALVE MATERIAL



NO	PART NAME	RAW MATERIAL	PIECE
1	HANDLE CAP	U-PVC	1
2	HANDLE	ABS	1
3	PIM	U-PVC	1
4	PIM O-RING	EPDM	2
5	NUT	U-PVC	2
6	CONNECTION PART	U-PVC	2
7	BODY O-RING	EPDM	2
8	COMPRESSION PIECE	U-PVC	1
9	BALL	U-PVC	1
10	COMPRESSION PIECE ORING	EPDM	1
11	BALL SEALING	Water Valve; HDPE Acid Valve; PTFE	2
12	SEALING BOTTOM ORING	EPDM	2
13	BALL	U-PVC	1
14	BODY	U-PVC	1

Ball Valve Code : TORK-KV.913

Single Acting Actuated Ball Valve Code : PAV-913.SR

Double Acting Actuated Ball Valve Code: PAV-913.DA