

# PNEUMATIC ACTUATED 3/2 WAY THREADED STAINLESS STEEL BALL VALVE (PAV-904.DA/SR)



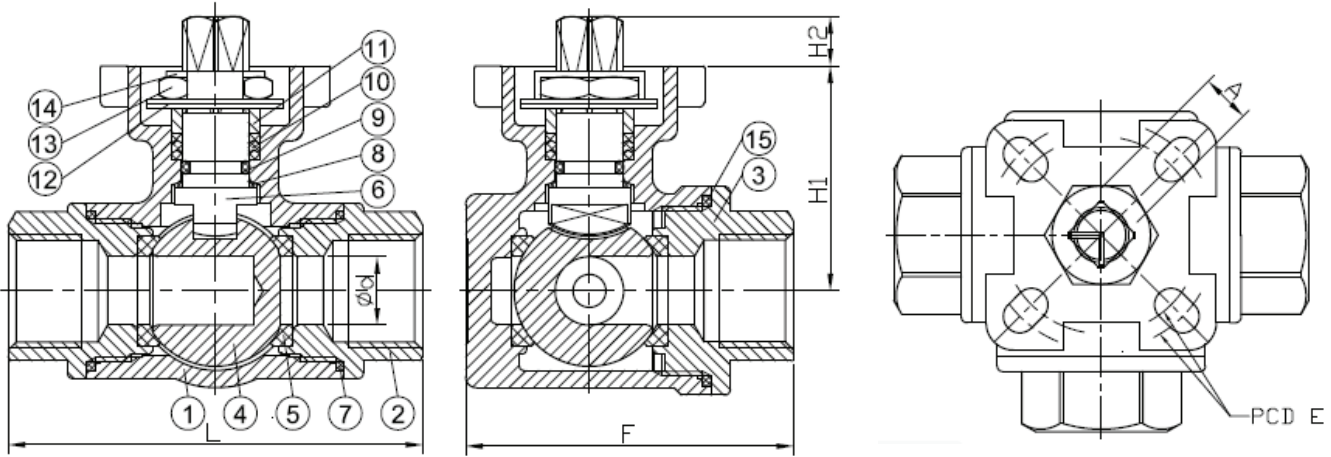
## Ball Valve Details

Body	: SS304
Ball	: SS304
Cover Flange	: ISO5211
Connection Standard:	NPT, BSPT, DIN259, DIN2999, ISO CLASS A
Working Pressure	: PN 63
Way	: 3/2 (L-Type or T-Type)
Size	: 1/2" ..... 2"
Applications	: • Chemical Industry • For acids and chemical controls • For purpose of drain and stopper at the end of the line • Treatment plants • Stainless Steel Resistant Fluid Types
Sealing	: PTFE

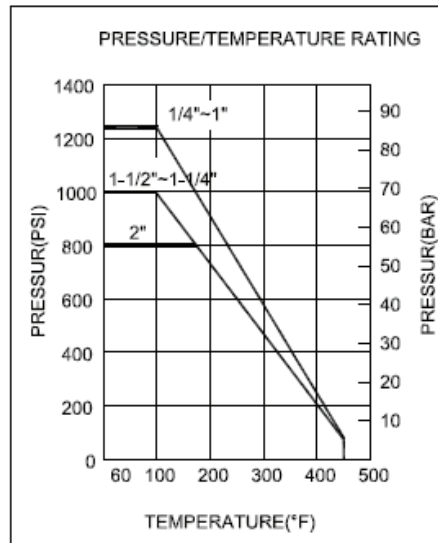
## Pneumatic Actuator Details

Type	: Single acting, Double Acting
Position	: 2 Positions, 3 Positions
Angle of Rotation	: 90°, 120°, 180°
Protection Class	: IP65, IP68
ATEX Protection Class	: II 2GDc T4
Working Pressure	: 4...8 Bar
Working Temperature	: -10°C...+80°C (-50°C...80°C)
Torque Range	: 9Nm...5162 Nm
Body	: Aluminium Extrusion
Strok Adjustment	: ±5°
Accessories	: Switch Box, Namur Valve, Positioner,
Manual Override	
Fluid Control	: On/Off, Proportional
Valve Connection	: ISO 5211
Accessories Connections:	Namur standards

## ▶ BALL VALVE SIZE



P. NO	PART NAME	MATERIAL TYPE
1	Body	CF8/CF8M
2	Cap-B	CF8/CF8M
3	Cap-A	CF8/CF8M
4	Ball	CF8/CF8M
5	Bearing	PTFE
6	Gasket	SUS304/SUS316
7	Sealing-B	PTFE
8	Stamp	15%R+PTFE
9	O-Ring	VITON
10	Gasket	PTFE
11	Gasket Bracelet	SUS 304
12	Spring Washer	SUS 304
13	Gasket Nut	SUS 304
14	Disc Spring	SUS 304
15	Sealing-A	PTFE



SIZE	d	L	F	E	H1	H2	A
1/4"	11.6	76.0	58.5	□36 / □42	41.0	9	9
3/8"	12.5	76.0	58.5	□36 / □42	41.0	9	9
1/2"	12.5	76.0	58.5	□36 / □42	41.0	9	9
3/4"	16.0	86.0	72.1	□36 / □42	44.3	9	9
1"	20.0	99.1	81.8	□42 / □50	53.5	11	11
1-1/4"	25.0	117.4	94.7	□42 / □50	59.2	11	11
1-1/2"	32.0	123.8	103.9	□50 / □70	75.9	15	14
2"	38.0	148.0	125.5	□50 / □70	84.1	15	14

TYPE	1	2	3	4
L				
T				

**Ball Valve Code**

**Single Acting Actuated Ball Valve Code**

**Double Acting Actuated Ball Valve Code**

: Tork-KV.904

: PAV-904.SR

: PAV-904.DA