

# PNEUMATIC ACTUATED TEFLON SEALING BUTTERFLY VALVE (PAV-805.DA)



## Butterfly Valve Details

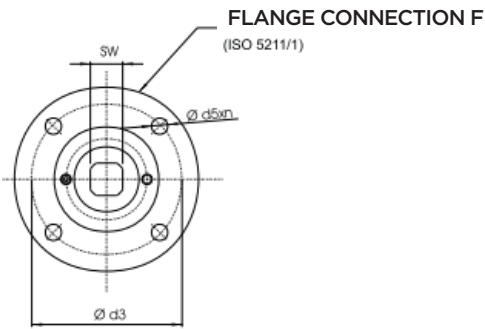
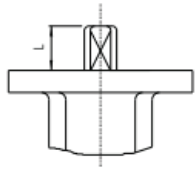
Body	: GG25 epoxy coated
Disc	: 316SS (On request; 3 mm PTFE Covering)
Working Pressure	: PN 6, PN 10, PN 16
Flange Connection	: PN 6, PN 10, PN 16
Cover Flange	: ISO 5211
Norm	: EN 558-1/20
Test Standard	: EN 12266-1
Valve Type	: Wafer Tip
Way	: 2/2
Size	: DN50...DN300
Applications	: • Liquid flow control • For purpose of drain and stopper at the end of the line • Treatment plants
Conta	: PTFE

## Pneumatic Actuator Details

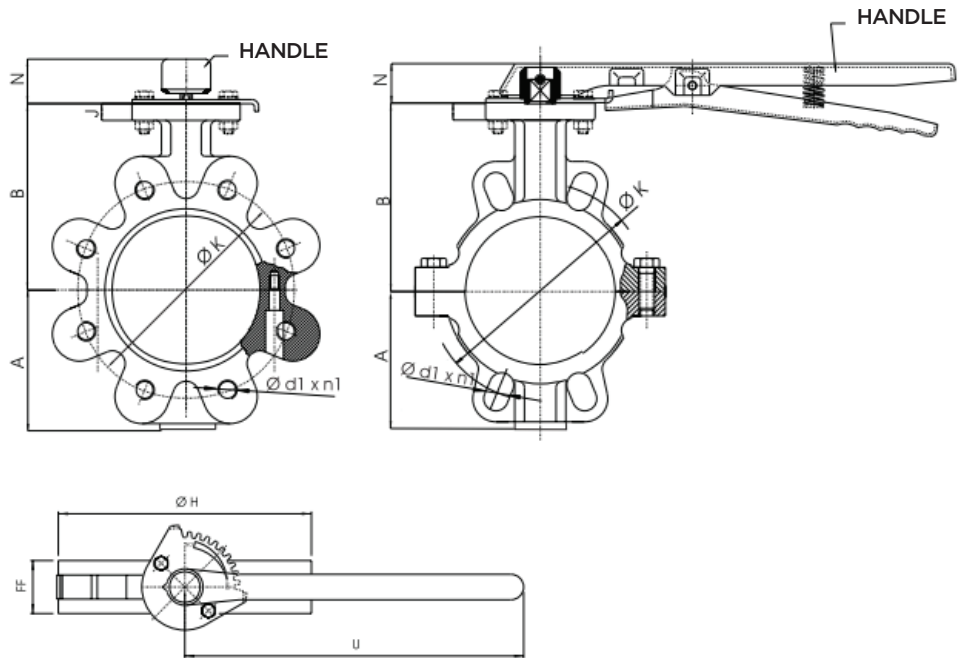
Type	: Single acting, Double Acting
Position	: 2 Positions, 3 Positions
Angle of Rotation	: 90°, 120°, 180°
Protection Class	: IP65, IP68
ATEX Protection Class	: II 2GDc T4
Working Pressure	: 4...8 Bar
Working Temperature	: -10°C...+80°C (-50°C...80°C)
Torque Range	: 9Nm...5162 Nm
Body	: Aluminium Extrusion
Strok Adjustment	: ±5°
Accessories	: Switch Box, Namur Valve, Positioner, Manual Override
Fluid Control	: On/Off, Proportional
Valve Connection	: ISO 5211
Accessories Connections	: Namur standards

## ▶ BUTTERFLY VALVE SIZES

DN 50 - 300



DN 50 - 300



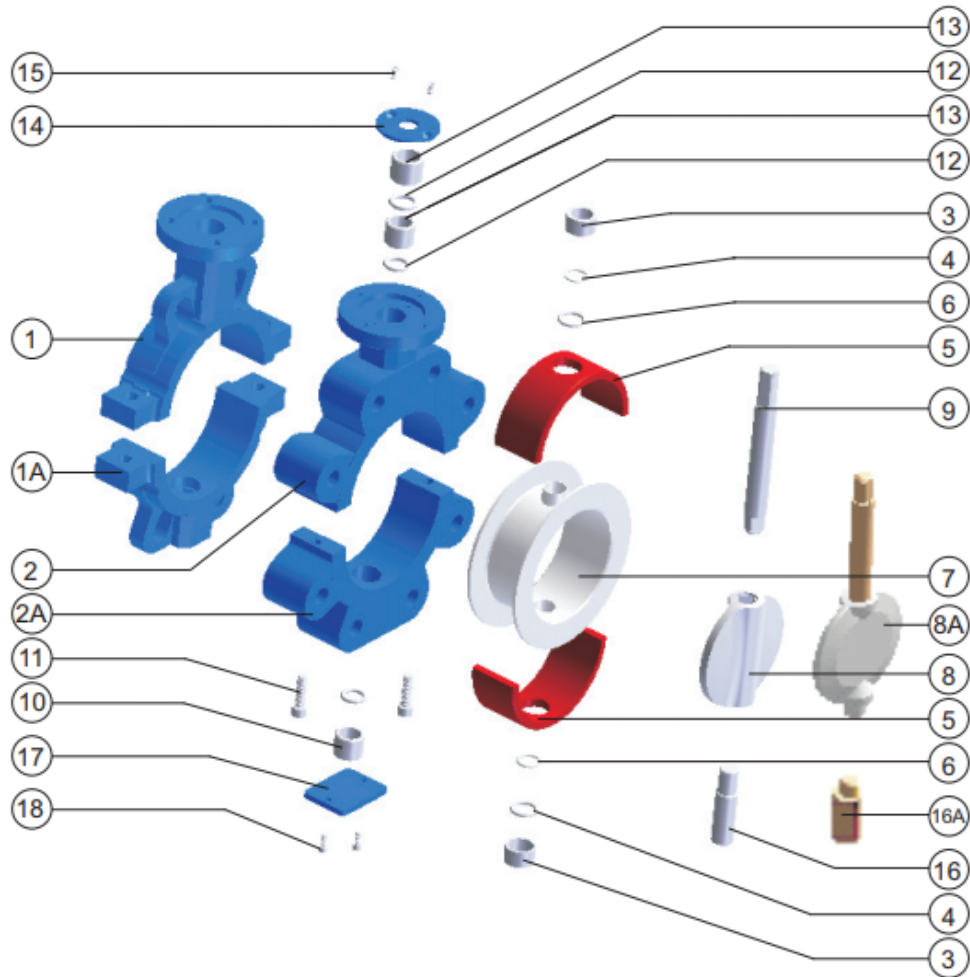
Butterfly Valve Code

: Tork-KV.W1320

Double Acting Actuated Butterfly Valve Code : PAV-805.DA

DN	1320-1321		1340-1341		FF	Ø H												PN 10				PN 16				
	A	B	A	B		1340 1341	1320 1321	J	M	N	U	W	Ø T	F	Ø d5xn	□ SW	L	Ø d3	Ø K	Ø d	Ø d1	n1	Ø K	Ø d	Ø d1	n1
Ø 50	75	116	64	108	45	165	100	13	50	37	220	159	200	05	7x4	□ 11	20	50	125	Ø 19	M 16	4	125	Ø 19	M 16	4
Ø 65	80	117	80	122	45	192	123	13	50	37	220	159	200	07	9x4	□ 11	20	70	145	Ø 19	M 16	4	145	Ø 19	M 16	4
Ø 80	100	132	97	132	46	200	137	14	50	37	260	159	200	07	9x4	□ 14	20	70	160	Ø 19	M 16	8	160	Ø 19	M 16	8
Ø 100	112	155	112	155	52	240	156	14	50	37	260	159	200	07	9x4	□ 14	20	70	180	Ø 19	M 16	8	180	Ø 19	M 16	8
Ø 125	123	158	123	158	56	255	187	14	50	37	260	159	200	07	9x4	□ 14	20	70	210	Ø 19	M 16	8	210	Ø 19	M 16	8
Ø 150	138	185	136	185	56	285	212	14	50	37	350	159	200	07	9x4	□ 17	22	70	240	Ø 23	M 20	8	240	Ø 23	M 20	8
Ø 200	176	213	162	213	60	335	265	15	50	37	350	159	200	07	9x4	□ 22	32	70	295	Ø 23	M 20	8	295	Ø 23	M 20	12
Ø 250	207	245	202	245	68	410	319	15	75	47	400	238	260	10	11x4	□ 22	32	102	350	Ø 23	M 20	12	355	Ø 28	M 24	12
Ø 300	243	282	228	282	78	450	372	15	75	47	400	238	260	10	11x4	□ 27	32	102	400	Ø 23	M 20	12	410	Ø 28	M 24	12

► BUTTERFLY VALVE MATERIAL



P. NO	PART NAME	MATERIAL TYPE
1	Body	GGG 40 - 50
1A	Body	GGG 40 - 50
2	Body	GGG 40 - 50
2A	Body	GGG 40 - 50
3	Sealing	AISI 316
4	O-Ring	Viton
5	Elastomer Sealing	Silicon, Viton
6	O-Ring	Viton
7	Seat	PTFE
8	Disc	AISI 316
8A	Disc+Shaft	AISI 316 + PTFE

P. NO	PART NAME	MATERIAL TYPE
9	Upper Shaft	AISI 316
10	Bearing	PTFE
11	Screw	A - 2
12	O-Ring	Viton
13	Bearing	PTFE
14	Stamp	St - 37
15	Screw	A - 2
16	Bottom Shaft	AISI 316
16A	Bottom Shaft	AISI 316
17	Bottom Cap	St - 37
18	Screw	A - 2