



MIIL

**Dik Bağlama Elemanları - Yatay Lamalı Tip**

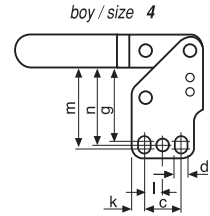
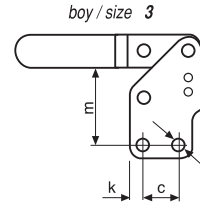
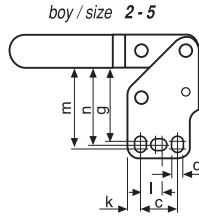
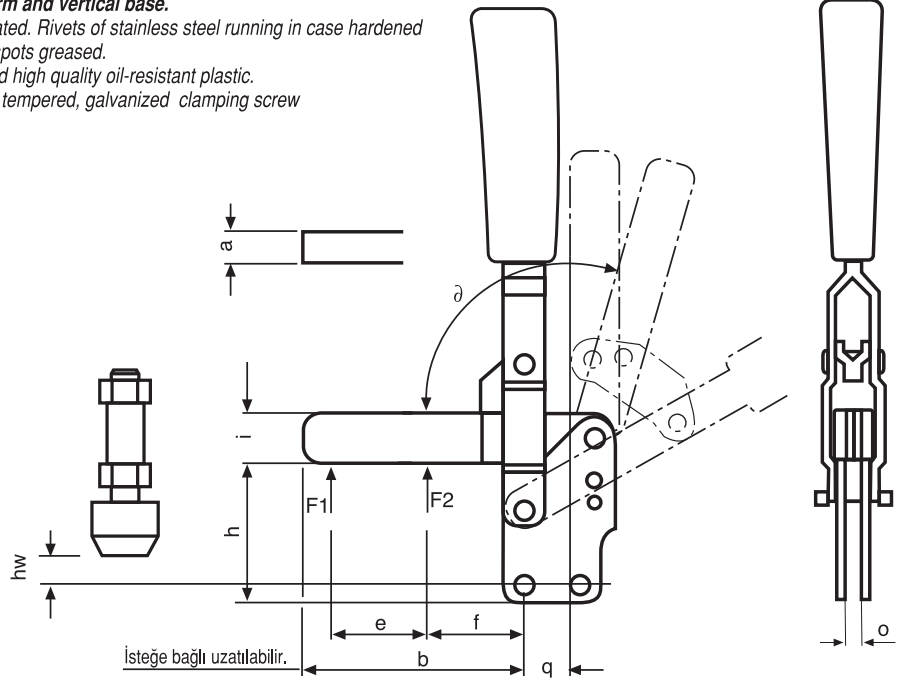
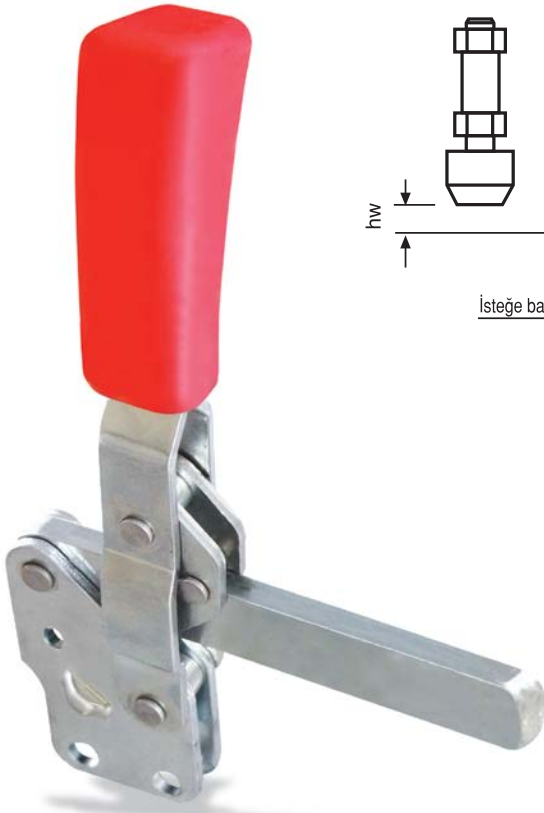
Galvaniz kaplı, kırmızı renkte ve yağa mukavim plastik tutma saplı, sertleştirilmiş ve yağlanmış yatakla burçlu. Baskı civatası ve koruyucu lastik başlık ile birlikte komple.

**Vertical acting toggle clamps with solid arm with open clamping arm and vertical base.**

Galvanized and passivated. Rivets of stainless steel running in case hardened bushing, with bearing spots greased.

Ergonomic handle of red high quality oil-resistant plastic.

Supplied complete with tempered, galvanized clamping screw



Boy Size	F1 (kN)	F2 (kN)			hw		
2	0.8	1.2	153	76	5 ± 14	M6 x 35	178
3	1.8	2.5	210	105	8 ± 20	M8 x 45	400
4	2.0	3.0	255	140	5 ± 33	M8 x 65	740
5	3.0	5	323	190	22 ± 45	M12 x 80	1500

Boy / Size	a	b	c	d	e	f	g	h	i	k	l	m	n	o	q	∂
2	5	51	20	5.3	24	10	30	38	12	5	12	33	31.5	5	13	100°
3	6	72	20	7	29	27	-	50	18	7.5	-	44	-	6	16	105°
4	8	101	34.5	8.5	61	30	56.5	71.5	20	9.25	17	60	59	8	22	105°
5	10	137	45	8.5	88	40	65.5	78	25	10.5	25	68	67	10	31.5	115°