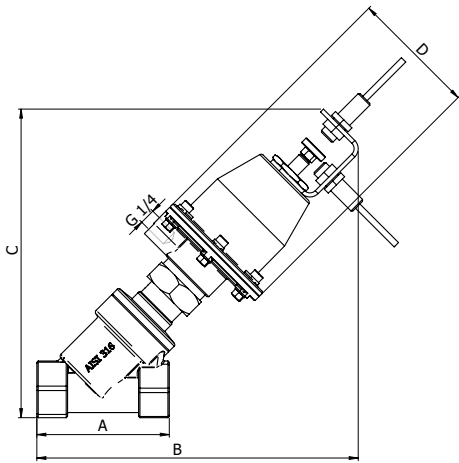


Limit Switch Box Assembled Pneumatic Piston Valves

Application Areas

Water, Air, Vapour, Gas, Chemicals, Petrol Products, Food, Pharmaceutical, Sterilized Environment, Refining, Dye Machines, Packaging Machines, Drinking Water Station, Vacuum Applications, Oil, Petrol, Alcohol, Hydraulic Oil, Salt Water, Natural Gas, Acid



Type	DN		A mm	B mm	C mm	D mm
	mm	Ø				
PP1020.03 XX / PP1021.03 XX	15	1/2"	72	232	96	30
PP1020.04 XX / PP1021.04 XX	20	3/4"	81	236	96	36
PP1020.05 XX / PP1021.05 XX	25	1"	97	240	96	42
PP1020.06 XX / PP1021.06 XX	32	1 1/4"	112	289	112	51
PP1020.07 XX / PP1021.07 XX	40	1 1/2"	127	299	112	61
PP1020.08 XX / PP1021.08 XX	50	2"	142	315	112	71

XX	Description
1P	1 proximity switch
2P	2 proximity switch
1E	1 Ex-proof proximity switch
2E	2 Ex-proof proximity switch



When contact position is requested in the open positions and closed positions of the piston valves, the limit switch is placed on the actuator. These switches consist of proximity sensors.