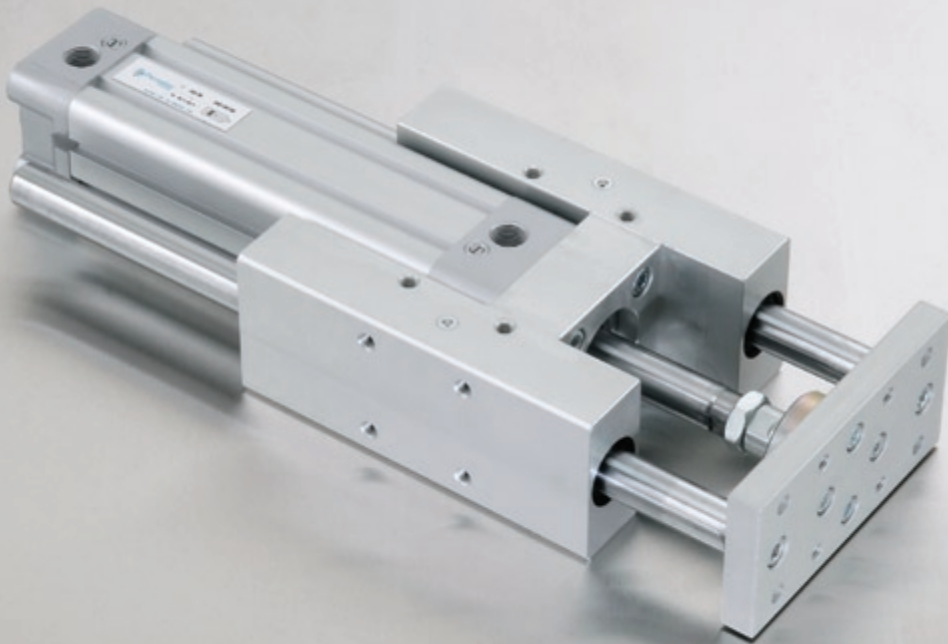


**SPECIAL CYLINDERS  
H-GUIDING  
PNEUMATIC CYLINDERS**





### H-GUIDING UNITS

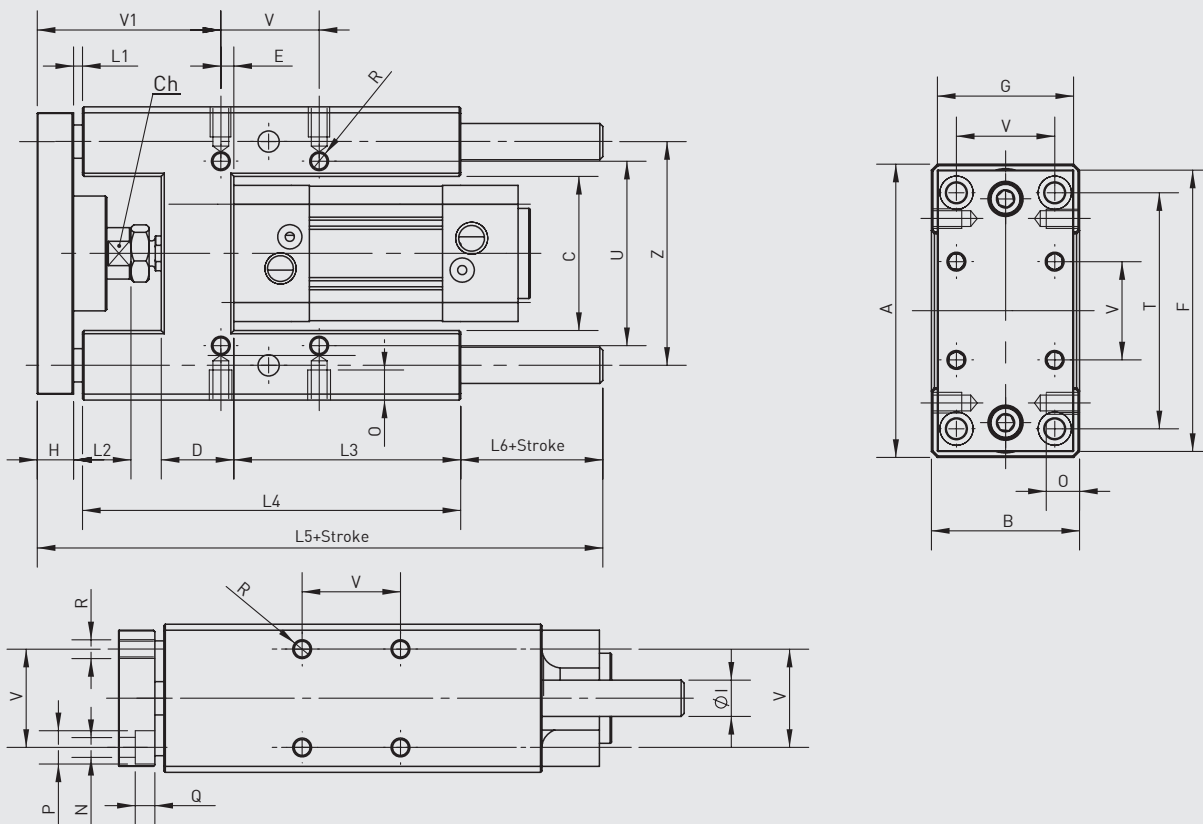
Ø32 - Ø100

#### BALL BEARING GUIDING

GUARANTEE OF HIGH PERFORMANCE FOR HIGH SPEED SYSTEMS.

#### SINTER BRONZE GUIDING

PROVIDING THE HIGHEST DURABILITY FOR LATERAL FORCES.



Cylinder Ø mm	A	B	C	Ch	D	E	F	G	H	Ø1	L1	L2	L3	L4	L5	L6	N	O	P	Q	R	T	U	V	V1	Z
32	97	49	51	15	24	4.3	93	45	12	12	3	19	75	125	187	47	6.6	12	11	6.5	M6	78	61	32.5	60.7	74
40	115	58	58.2	15	28	11	112	55	12	16	3	24	80	140	207	52	6.6	12	11	6.5	M6	84	69	38	64	87
50	137	70	70.2	20	34	18.8	134	65	15	20	3	27	78	148	223	57	9	16	15	8.5	M8	100	85	46.5	70	104
63	152	85	85.2	20	34	15.3	147	80	15	20	3	27	106	178	243	47	9	16	15	9	M8	105	100	56.5	74.7	119
80	189	105	105.5	26	50	25	180	100	20	25	3	27	111	195	267	49	11	20	18	11	M10	130	130	72	82	148
100	213	130	130.5	26	55	30	206	120	20	25	3	27	128	218	290	49	11	20	18	11	M10	150	150	89	83	173

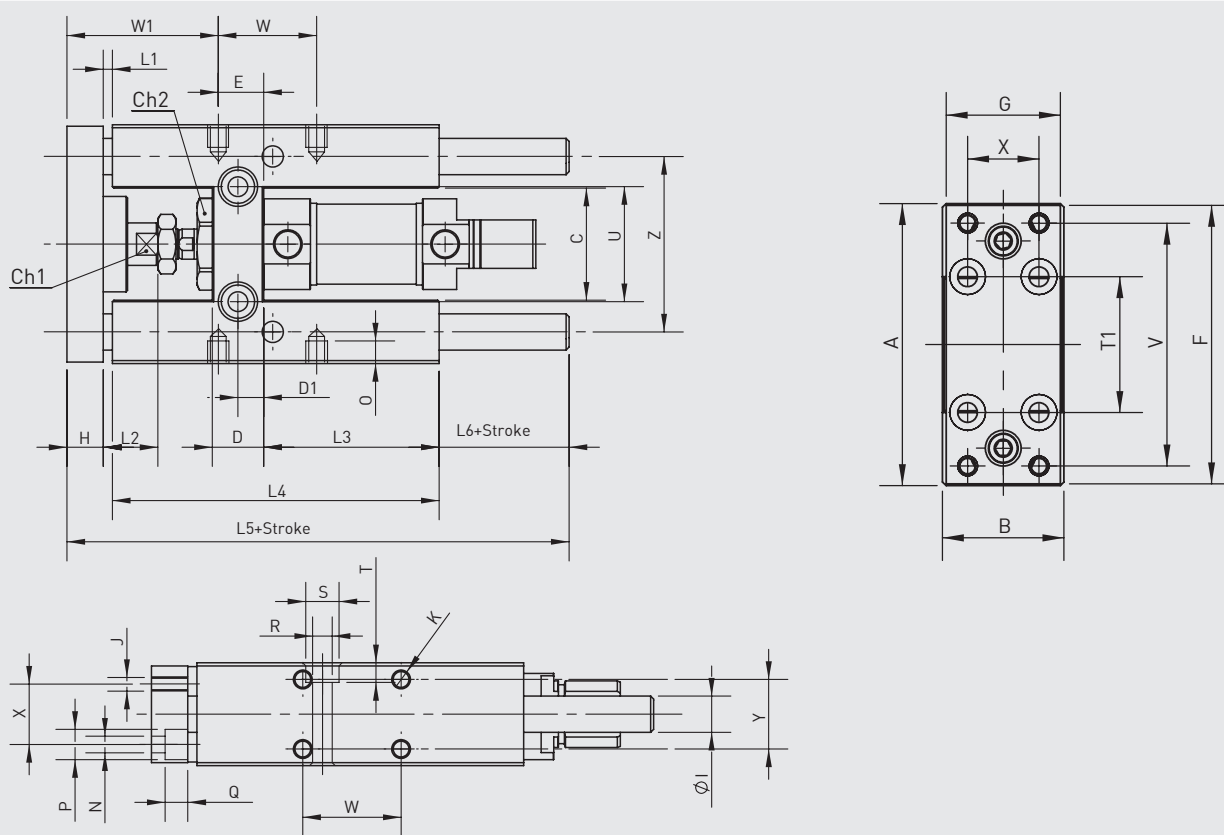


### H-GUIDING UNITS

Ø20 - Ø25

### SINTER BRONZE GUIDING

PROVIDING THE HIGHEST DURABILITY FOR LATERAL FORCES



Cylinder Ø mm	A	B	C	Ch1	Ch2	D	D1	E	F	G	H	Ø1	J	K	L1	L2	L3
20-25	79	34	37	12	27	17	8,5	15	78	32	12	12	M5	M6	3	18	58

Cylinder Ø mm	L4	L5	L6	N	O	P	Q	R	S	T	T1	U	V	W	W1	X	Y	Z
20-25	108	166	43	5,5	9	10	7,5	6,5	11	6,5	38	38	68	32,5	50	20	23	58