

C41 ATEX CERTIFICATED EXPROOF COIL

GENERAL FEATURES

- New design
- Better performance
- Long life
- For use in potentially explosive areas
- Easy electrical installation by built-in cable, standard length 3m. Other lengths on request.

COIL CHARACTERISTICS

Continuous Duty	:ED %100
Coil Insulation Class	:H (180°C)
Coil Impregnation	:Fiber Glass Reinforced or PP-VO (Self-Extinguishing)
Coil Encapsulation Material	:Fiber Glass Reinforced or PP-VO (Self-Extinguishing)
Ambient Temperature	:-20°C, +60°C
ExProof Protection Class	:II 2G Ex mb IIC T4 Gb Ex t IIIIC T 135°C Db IEP 13 ATEX 0182 X
Protection Degree	:IP67 (ISO 60529)
Electric Plug Connection	:DIN 46340 3- Poles Connector (DIN43650)
Connector Specification	:ISO 4400 / EN 175301-803 Form A, Spade Plug (Cable Ø6-8 mm)
Electrical Safety	:IEC 335
Standard Voltages	:AC 12V, 24V, 48V, 110V, 230V DC 12V, 24V, 48V, 110V

On request other voltages

Frequency :50 Hz (60 Hz...)

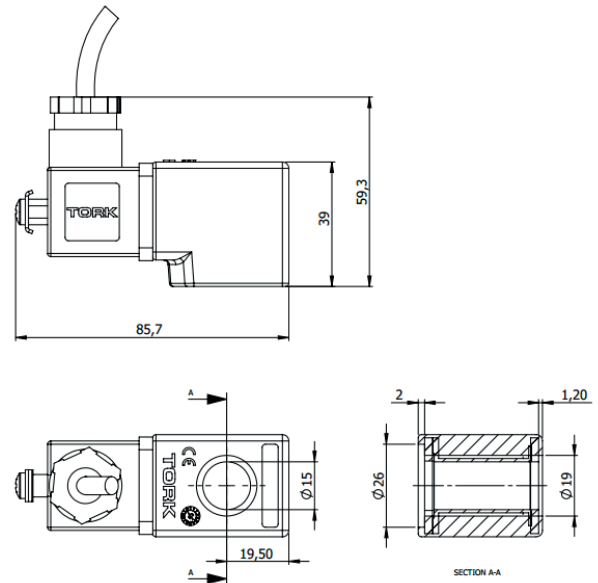
Voltages Tolerance :+/- 10 %

Specify coil voltage with order.

Voltages Tolerance :Opening Time: 400 ms to ~1600 ms
Closing Time : 1000 ms to ~2000 ms



Coils	Nominal Values	Cold/ Hot	Inrush	Holding	Current (A)	Surface Temperature (°C)
C41012VDC18W	12VDC 18W	COLD	19,56	19,56	1,63	20
		HOT	14,52	14,52	1,21	106
C41024VDC18W	24VDC 18W	COLD	20,88	20,88	0,87	25
		HOT	14,64	14,64	0,61	116
C41110VDC18W	110VDC 18W	COLD	19,96	19,96	0,18	23
		HOT	13,56	13,56	0,123	115
C41012VAC15VA	12VAC 15VA	COLD	23,81	16,43	1,3	25
		HOT	-	15,86	1,262	79
C41024VAC15VA	24VAC 15VA	COLD	25,82	15,02	0,62	22
		HOT	-	13,91	0,57	81
C41110VAC15VA	110VAC 15VA	COLD	30,65	15,17	0,137	24
		HOT	-	13,96	0,126	80
C41230VAC15VA	230VAC 15VA	COLD	31,4	15,64	0,068	25
		HOT	-	14,41	0,063	80
C41230VAC15VA	230VAC 24VA	COLD	45,1	23,92	0,0154	23
		HOT	-	21,62	0,0154	100



POWER RATINGS / Alternating Current (AC)			
Coils Type	Voltage (V)	Power (VA)	Current (A)
C41012VAC15VA	12	15	1,25
C41024VAC15VA	24	15	0,521
C41048VAC15VA	48	15	0,312
C41110VAC15VA	110	15	0,12
C41230VAC15VA	230	15	0,06
C41230VAC24VA	230	24	0,096

POWER RATINGS / Direct Current (DC)			
Coils Type	Voltage (V)	Power (VA)	Current (A)
C41012VDC18W	12	18	1,25
C41024VDC18W	24	18	0,8
C41048VDC18W	48	18	0,37
C41110VDC18W	110	18	0,163