

Solenoid Standard Coil C 40 Series

GENERAL FEATURES

- New design
- Better performance
- Long life

ELECTRICAL CHARACTERISTICS

| | |
|--------------------------|--|
| Continuous Duty | : ED %100 |
| Coil Insulation Class | : H (180°C)(IEC 85) |
| Coil Impregnation | : Polyester Fiber Glass |
| Ambient Temperature | : -10°C, +60°C |
| Protection Degree | : IP65 (ISO 60529) On request; IP68 |
| Electric Plug Connection | : DIN 46340 3-Poles Connector (DIN 43650) |
| Connector Specification | : ISO 4400 / EN 175301-803 Form A, Spade Plug (Cable Ø6-8 mm) |
| Electrical Safety | : IEC 335 |
| Standard Voltages | : AC 12V 15VA, 24V 15VA, 48V 15VA, 230V 15VA, 230V 24VA DC 12V 18W, 24V 18W, 48V 18W, 110V 18W |

On request other voltages

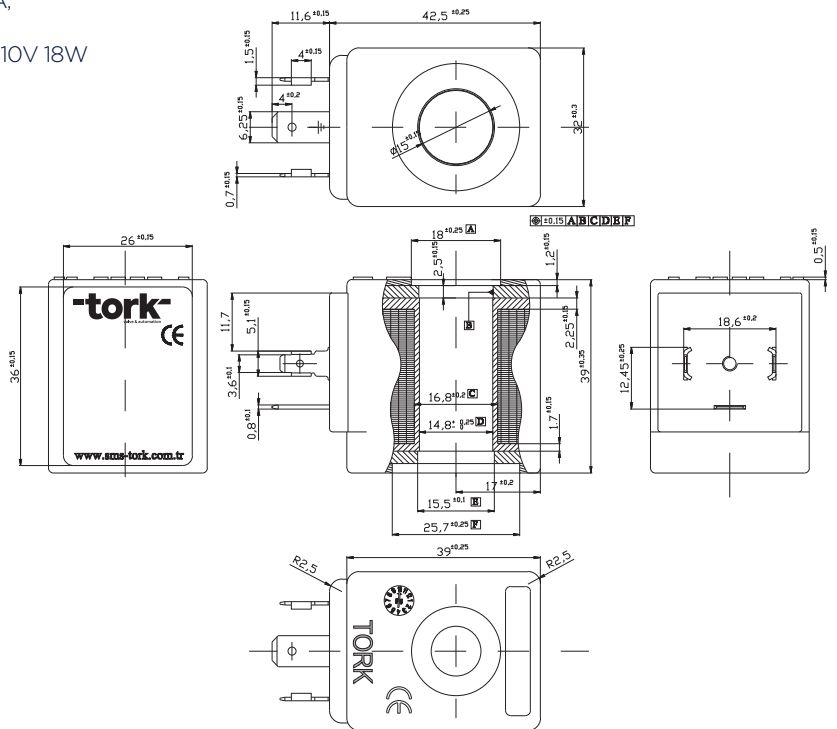
Voltages Tolerance : AC -15%, +10% DC -5%, +10%

Frequency : 50 Hz (60 Hz...)

On request; Connector with LED, PWM Socket Specify coil voltage with order

COIL MATERIALS

| | |
|----------------|--------------------------|
| Body | : Poliamid 6 |
| Internal Parts | : Stainless Steel, Brass |
| Shading Ring | : Copper (EN 12735-1) |



| POWER RATINGS | | | |
|--------------------------|---------|------------|-------------|
| Alternating Current (AC) | | | |
| Coil Type | Voltage | Power (VA) | Current (A) |
| C40012VAC15VA | 12 | 15 | 1,25 |
| C40024VAC15VA | 24 | 15 | 0,521 |
| C40048VAC15VA | 48 | 15 | 0,312 |
| C400110VAC15VA | 110 | 15 | 0,12 |
| C400230VAC15VA | 230 | 15 | 0,06 |
| C400230VAC24VA | 230 | 24 | 0,096 |

| POWER RATINGS | | | |
|---------------------|---------|-----------|-------------|
| Direct Current (DC) | | | |
| Coil Type | Voltage | Power (W) | Current (A) |
| C40012VDC18W | 12 | 18 | 1,5 |
| C40024VDC18W | 24 | 18 | 0,8 |
| C40028VDC18W | 28 | 18 | 0,65 |
| C40048VDC18W | 48 | 18 | 0,37 |
| C400110VDC18W | 110 | 18 | 0,163 |

| Coil | Nominal Values | Cold/ Hot | Inrush | Holding | Current (A) | Surface Temperature (°C) |
|---------------|----------------|-----------|--------|---------|-------------|--------------------------|
| C40012VDC18W | 12VDC 18W | COLD | 19,56 | 19,56 | 1,63 | 20 |
| | | HOT | 14,52 | 14,52 | 1,21 | 106 |
| C40024VDC18W | 24VDC 18W | COLD | 20,88 | 20,88 | 0,87 | 25 |
| | | HOT | 14,64 | 14,64 | 0,61 | 116 |
| C40028VDC18W | 28VDC 18W | COLD | 19,35 | 19,35 | 0,69 | 25 |
| | | HOT | 15,20 | 15,20 | 0,54 | 105 |
| C40110VDC18W | 110VDC 18W | COLD | 19,96 | 19,96 | 0,18 | 23 |
| | | HOT | 13,56 | 13,56 | 0,123 | 115 |
| C40012VAC15VA | 12VAC 15VA | COLD | 23,81 | 16,43 | 1,3 | 25 |
| | | HOT | - | 15,86 | 1,262 | 79 |
| C40024VAC15VA | 24VAC 15VA | COLD | 25,82 | 15,02 | 0,62 | 22 |
| | | HOT | - | 13,91 | 0,57 | 81 |
| C40110VAC15VA | 110VAC 15VA | COLD | 30,65 | 15,17 | 0,137 | 24 |
| | | HOT | - | 13,96 | 0,126 | 80 |
| C40230VAC15VA | 230VAC 15VA | COLD | 31,4 | 15,64 | 0,068 | 25 |
| | | HOT | - | 14,41 | 0,063 | 80 |
| C40230VAC24VA | 230VAC 24VA | COLD | 45,1 | 23,92 | 0,0154 | 23 |
| | | HOT | - | 21,62 | 0,0154 | 100 |